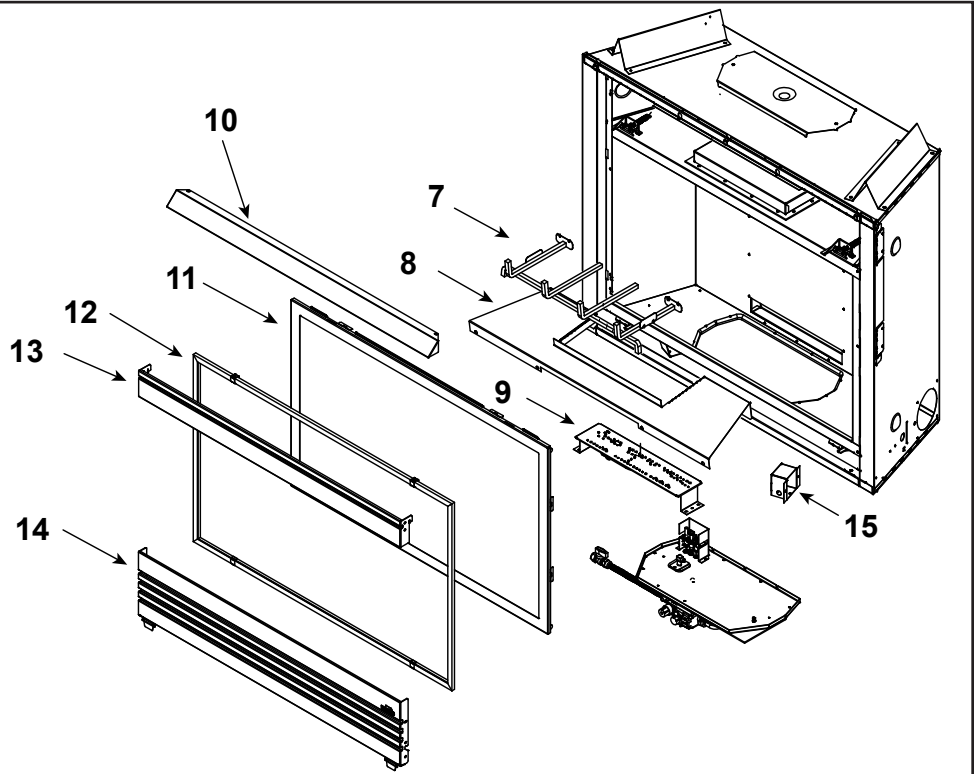
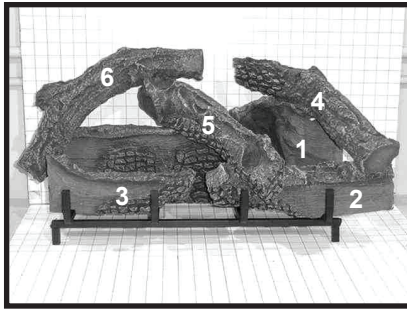


Log Set Assembly



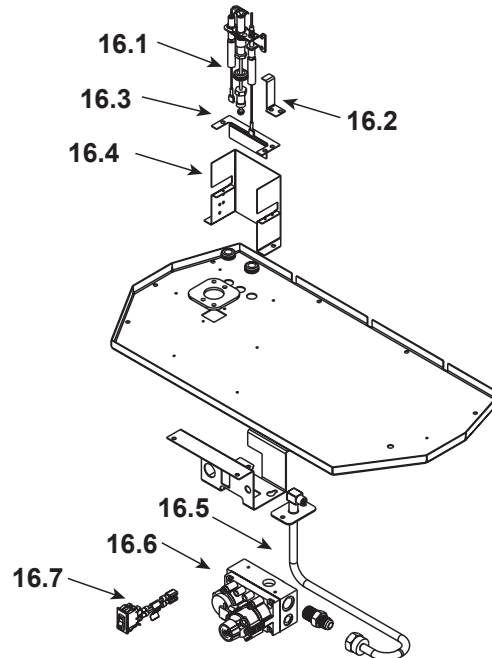
IMPORTANT: THIS IS DATED INFORMATION. Parts must be ordered from a dealer or distributor. **Hearth and Home Technologies does not sell directly to consumers.** Provide model number and serial number when requesting service parts from your dealer or distributor.



Stocked at Depot

ITEM	DESCRIPTION	COMMENTS	PART NUMBER	
	Log Set Assembly		LOGS-SL750	Y
1	Log 1	No longer available, Must order complete assembly	SRV530-714	
2	Log 2		SRV530-719	
3	Log 3		SRV530-718	
4	Log 4		SRV530-716	
5	Log 5		SRV530-717	
6	Log 6		SRV530-715	
7	Grate Assembly	No longer available	530-361A	
8	Base Refractory	No longer available	560-117	
9	Burner NG, LP		534-211A	Y
10	Hood		SRV560-175	
11	Glass Door Assembly		GLA-950TR	Y
12	Mesh Assembly		560-382A	Y
13	Top Louver	No longer available	560-256A	
14	Bottom Louver	No longer available	560-257A	
15	Junction Box		383-250A	Y
	Fan Kit		GFK-160A	
	Mineral Wool		050-721	
	Remote		SMART-STAT-HHT	
	Touch Up Paint		TUP-GBK-12	

#16 Valve Assembly



IMPORTANT: THIS IS DATED INFORMATION. Parts must be ordered from a dealer or distributor. **Hearth and Home Technologies does not sell directly to consumers.** Provide model number and serial number when requesting service parts from your dealer or distributor.



Stocked at Depot

ITEM	DESCRIPTION	COMMENTS	PART NUMBER	
16.1	Pilot Assembly NG		SRV4021-730	Y
	Pilot Assembly LP		SRV4021-731	Y
	Pilot Tube		SRV485-301	Y
16.2	Ground Strap	No longer available	385-512	
16.3	Pilot Support assembly	No longer available	397-121	
16.4	Pilot Bracket	No longer available	530-164	
16.5	Flexible Gas Connector		530-302A	Y
16.6	Valve NG		750-500	Y
	Valve LP		750-501	Y
16.7	On/Off Rocker Switch		060-521A	Y
	Battery Pack		SRV593-594	Y
	3 Volt Transformer		SRV593-593	Y
	Module Wire Assembly		SRV593-590	Y
	Module		SRV593-592	Y
	Flex Ball Valve Assembly		SRV302-320	Y
	Orifice NG (#36C)		582-836	Y
	Orifice LP (#51C)		SRV582-851	Y
	Conversion Kit NG	No longer available	NGK-950IPIC	
	Conversion Kit LP	No longer available	LPK-950IPIC	
	Pilot Orifice NG		SRV446-505	Y
	Pilot Orifice LP		SRV446-517	Y
	Regulator NG		SRVNGK-DXV	Y
	Regulator LP		SRVLPK-DXV	Y